

# Chameleon Portable



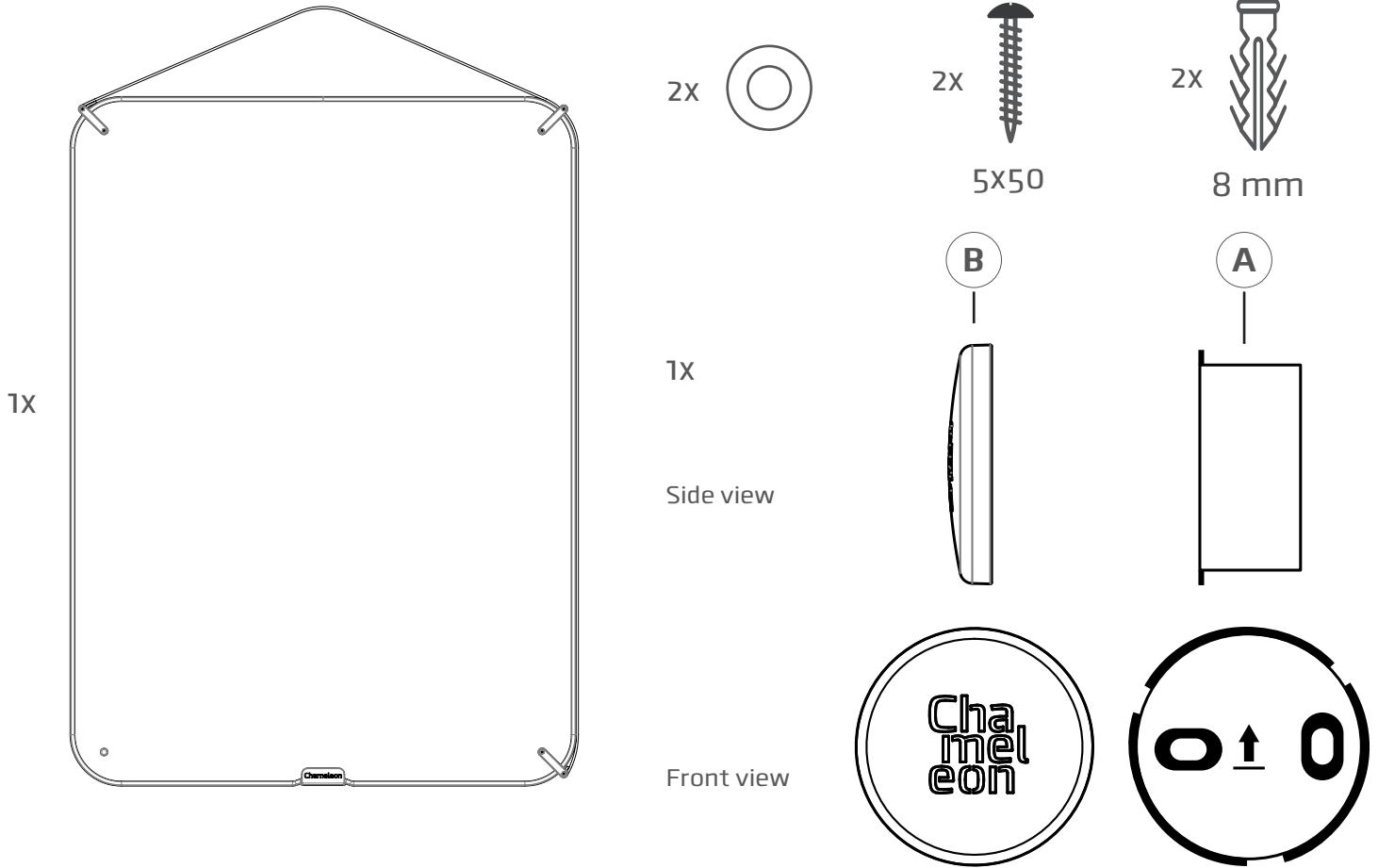
Mounting guide

---

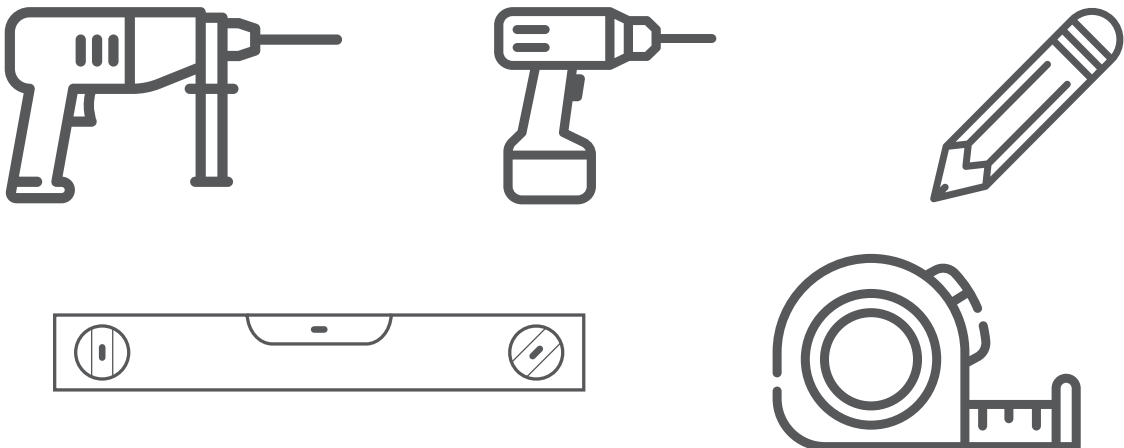
**Note!** please make sure that you use appropriate mounting materials for your specific type of wall.  
Supplied mounting materials are meant for mounting on a solid brick wall.



## Package contents

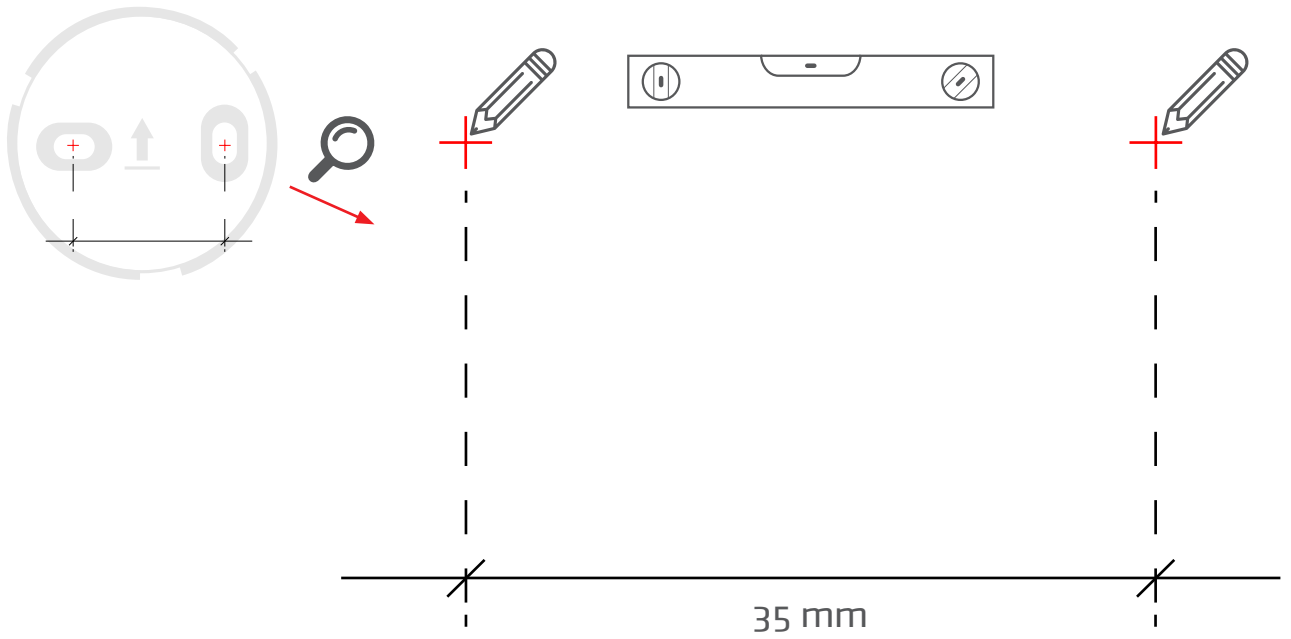
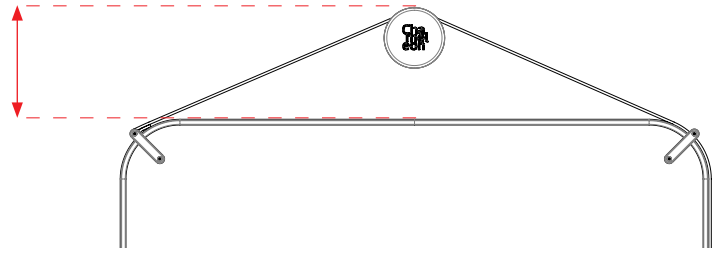


## Required tools

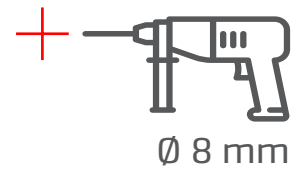
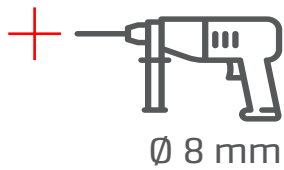


1

Please note: leather strap can stretch up to 30 mm in height



2



3

2x  
8 mm



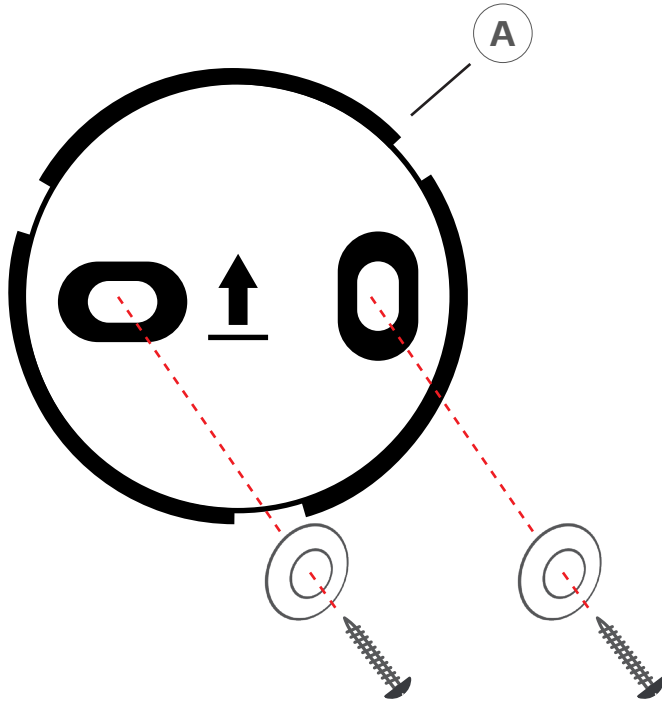
4

2X 5x50

2X



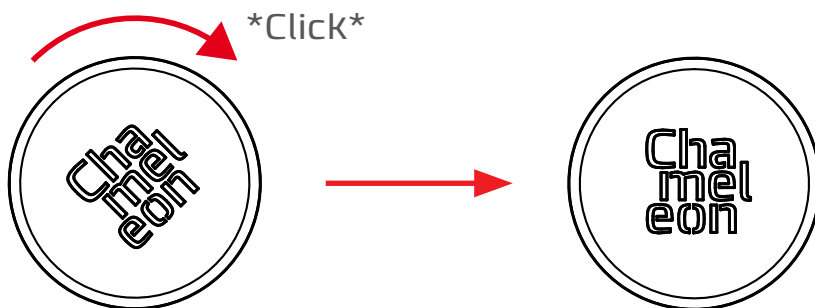
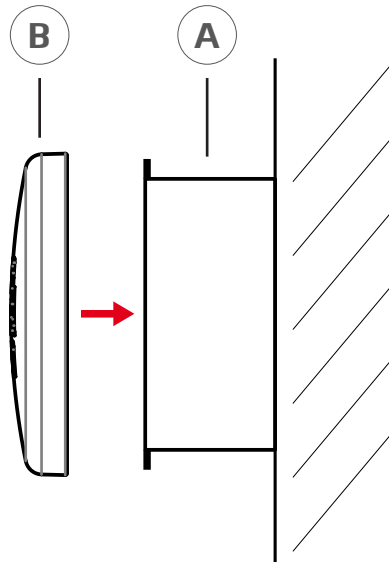
A



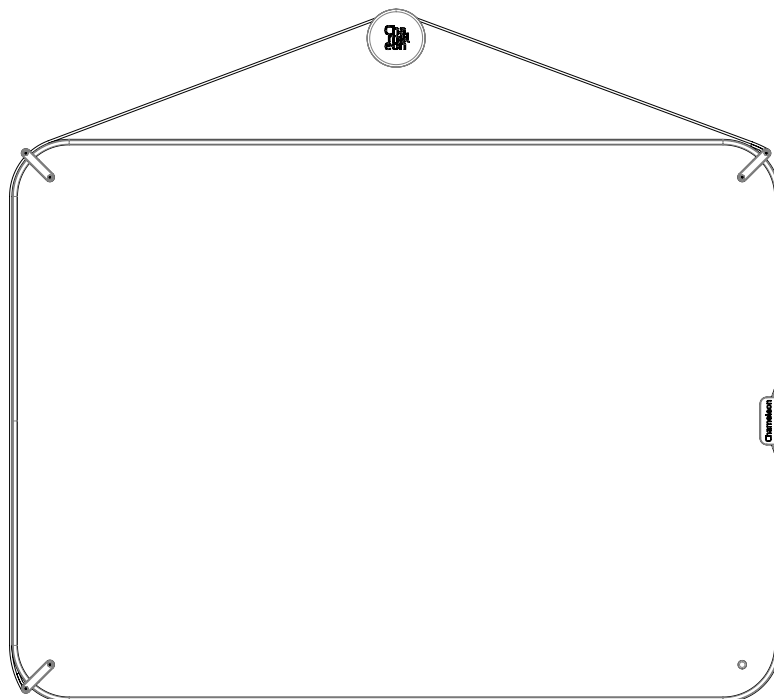
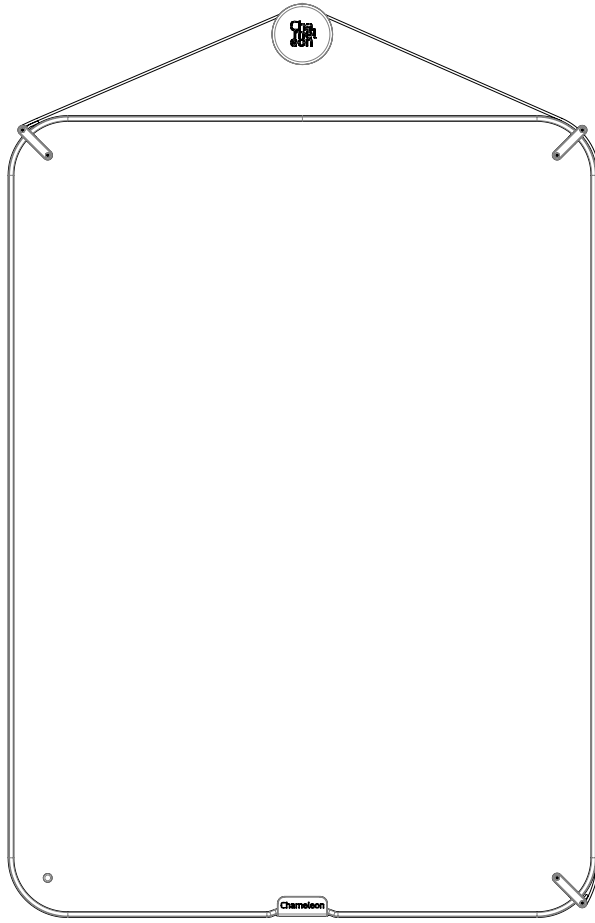
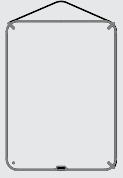
5



B A



6



## End of life

Smit Visual guarantees high quality products with a long lifespan. However, if you do find a defect in the product, please contact us immediately. We will then rapidly provide you with a suitable solution.

If for some reason, you decide you no longer wish to use the product, remember that there may be people, foundations or voluntary organisations locally that could make use of the product. You can thus give your product a second life and extend its lifespan. If this is not the case, please dispose of the board according to official and/or statutory regulations for recycling. Depending on the type of board, our products contain wood, cardboard and metal parts. The environmentally friendly materials used in the board are therefore suitable for recycling.

As an organisation, Smit Visual has a 100% CO<sub>2</sub> neutral policy. We take concrete action to minimise emissions. The remaining emissions are compensated through the globally recognised Trees for All certification. Thank you for your contribution to an environmentally friendly future.

## Instructions for wiping (printed) whiteboards

1. **To prevent spreading the written ink, only wipe when it's completely dry. This is crucial with lacquered and printed boards because the solvents in the ink will cause damage to the board surface.**
2. **Only wipe dry ink with a clean (!) felt or paper wiper suitable for whiteboards.**
3. Daily clean the board with cleaning spray to maintain a good erasability.
4. NEVER use other cleaning agencies than real whiteboard cleaners. Aggressive cleaners like Glassex will cause permanent damage to the board surface.
5. When a wrong marker (flipchart marker, permanent marker) is used by accident: immediately clean the board with cleaning spray and a microfiber cloth. If that doesn't help, write over the written text with a whiteboard marker until it desolves. Clean the board with cleaning spray afterwards.  
**Note!** Some markers -even those of renowned brands- are poorly erasable.